

PB8000

PC/104 8-CHANNEL POWER SWITCH

FEATURES

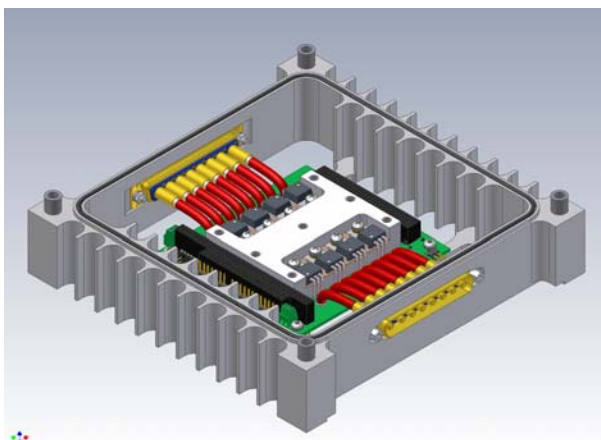
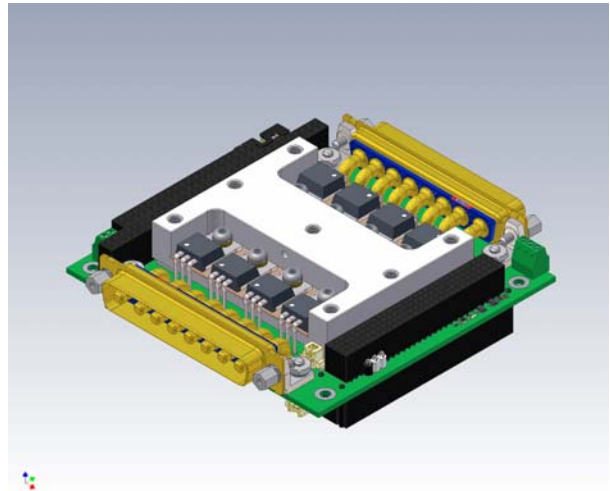
- Small Size
- 8-Channel 20A Drivers
- Optically Isolated & Soft Start
- Supported Interfaces: ISA, RS485, Discrete

APPLICATIONS

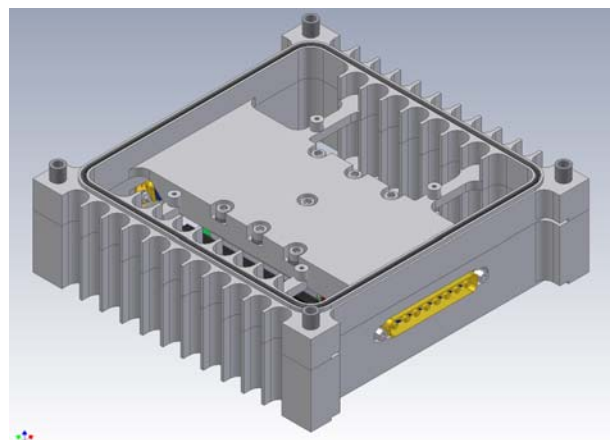
- High Power Embedded Systems
- DC Motor Control
- Electric Vehicles
- Payload Switching

GENERAL DESCRIPTION

The PB8000 PC/104 8-Channel Power Switch has eight optically-isolated power MOSFETs capable of switching a minimum of 20A each. Built-in soft-start circuitry helps manage inrush current to connected loads. Although designed to stack with other PC/104 modules in an embedded system where control of the device is via the PC/104 ISA bus, the device can also be operated over an RS422 serial link or an 8-bit bus (plus an enable and a strobe). An interface for operating the MOSFET switches with discrete commands coming from external toggle or pushbutton switches is included. A PC board header is provided to support external LED indicators for power channel status. An aluminum MOSFET heat spreader is outfitted with 8-32 tapped holes for attaching the heat spreader to a structural heat sink. Temperature sensors coupled to the MOSFET heat spreader are available to monitor power dissipation.



PB8000 mounted in Dual-Height Ring (P/N LED-MP-2302)



Single-Height Structural Heat Sink Ring (P/N LED-MP-2204) attached to PB8000.

Lakenheath Electronics Design reserves the right to change the specifications contained in this document without notice.

Product Information

SPECIFICATIONS

Power Connector J1 and J7 Ratings.

Voltage Input Range (each channel): 18V – 36V DC
Maximum Input Current (each channel): 20A*

***NOTE: AN ADEQUATE HEAT SINK MUST BE USED AT THESE INPUT POWER LEVELS!**

Temperature Ratings.

Operating Ambient Temperature Range: -40C to +70C
Storage Temperature Range: -40C to +125C

Dimensions.

