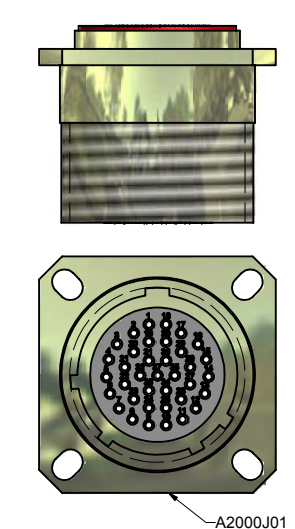
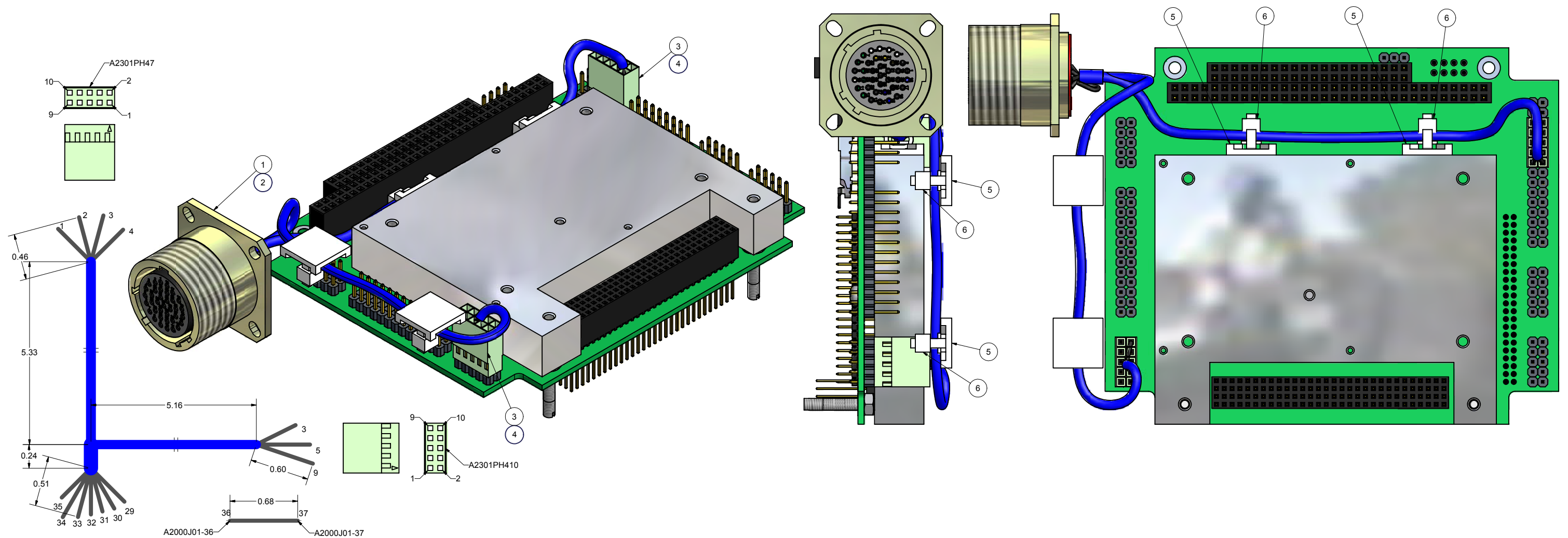


THE INFORMATION CONTAINED HEREIN IS PROPRIETARY TO LAKENHEATH ELECTRONICS DESIGN AND SHALL NOT BE REPRODUCED OR DISCLOSED FOR ANY PURPOSE WITHOUT DIRECT WRITTEN AUTHORIZATION FROM LAKENHEATH ELECTRONICS DESIGN.

| REVISION HISTORY | | | | |
|------------------|-----|-----------------|-----------|-----------|
| ZONE | REV | DESCRIPTION | DATE | APPROVED |
| | - | INITIAL RELEASE | 5/30/2005 | T. SEELEY |

NOTES, UNLESS OTHERWISE SPECIFIED:
1. BUILD TO 100% END ITEM INSPECTION.



| REFDES | PIN NO. | SIGNAL NAME | CONNECTOR PART NUMBER | WIRE P/N | WIRE SIZE | CONTACT PART NUMBER | SFP CODE | SPECIAL INSTRUCTIONS | LENGTH (IN) |
|------------|---------|-------------|-----------------------|---------------|-----------|---------------------|----------|----------------------|-------------|
| A2000J01 | 35 | RXD | TVPS02RF-15-35S | M16878/4BDE-9 | 26 | M9029/56-348 | NA | NA | 6.50 |
| A2301FH410 | 3 | RXD | 925367-5 | M16878/4BDE-9 | 26 | 141603-4 | NA | NA | 6.50 |
| A2000J01 | 34 | TXD | TVPS02RF-15-35S | M16878/4BDE-9 | 26 | M9029/56-348 | NA | NA | 6.50 |
| A2301FH410 | 5 | TXD | 925367-5 | M16878/4BDE-9 | 26 | 141603-4 | NA | NA | 6.50 |
| A2000J01 | 33 | GND | TVPS02RF-15-35S | M16878/4BDE-9 | 26 | M9029/56-348 | NA | NA | 6.50 |
| A2301FH410 | 9 | GND | 925367-5 | M16878/4BDE-9 | 26 | 141603-4 | NA | NA | 6.50 |
| A2000J01 | 32 | RX+ | TVPS02RF-15-35S | M16878/4BDE-9 | 26 | M9029/56-348 | NA | TW W 31 | 6.50 |
| A2301FH47 | 1 | RX+ | 925367-5 | M16878/4BDE-9 | 26 | 141603-4 | NA | TW W 3 | 6.50 |
| A2000J01 | 31 | RX | TVPS02RF-15-35S | M16878/4BDE-9 | 26 | M9029/56-348 | NA | TW W 32 | 6.50 |
| A2301FH47 | 3 | RX | 925367-5 | M16878/4BDE-9 | 26 | 141603-4 | NA | TW W 1 | 6.50 |
| A2000J01 | 30 | TX+ | TVPS02RF-15-35S | M16878/4BDE-9 | 26 | M9029/56-348 | NA | TW W 29 | 6.50 |
| A2301FH47 | 2 | TX+ | 925367-5 | M16878/4BDE-9 | 26 | 141603-4 | NA | TW W 4 | 6.50 |
| A2000J01 | 29 | TX | TVPS02RF-15-35S | M16878/4BDE-9 | 26 | M9029/56-348 | NA | TW W 30 | 6.50 |
| A2301FH47 | 4 | TX | 925367-5 | M16878/4BDE-9 | 26 | 141603-4 | NA | TW W 2 | 6.50 |
| A2000J01 | 36 | RTS | TVPS02RF-15-35S | M16878/4BDE-9 | 26 | M9029/56-348 | NA | NA | 0.75 |
| A2000J01 | 37 | DSR | TVPS02RF-15-35S | M16878/4BDE-9 | 26 | M9029/56-348 | NA | NA | 0.75 |

| REQ'D | CAGE CODE | ITEM | PART OR IDENTIFYING NO. | NOMENCLATURE OR DESCRIPTION |
|-------|-----------|-------|-------------------------|--|
| | AR | 7R617 | 7 | M16878/4BDE-9 WIRE, ELECTRICAL, FLUOROPOLYMER-INSULATED, EXTRUDED TFE, SILVER-COATED COPPER CONDUCTOR, 600V, 200C, PER ML-W-16878/4 |
| | 4 | 2S894 | 6 | RP102C-ND WIRE TIE 4.5" 18LBS WHT |
| | 4 | 02929 | 5 | 92N4802 FLAT CABLE TIE HOLDER, ADHESIVE-BACKED, 4-WAY/NYLON, 0.50 INCH LENGTH X 0.50 INCH WIDTH, 18 POUND TO 50 POUND TENSILE STRENGTH |
| | 7 | AMP | 4 | 141603-4 24-30 AWG CRIMP SOCKET CONTACTS FOR ITEM 3 |
| | 2 | AMP | 3 | 925367-5 CONN HOUSING 0.1IN 2 ROW 10POS |
| | 7 | 77820 | 2 | M39029/56-348 22-28 AWG CRIMP SOCKET CONTACTS FOR ITEM 1 |
| | 1 | 77820 | 1 | TVPS02RF-15-35S BOX MOUNTING RECEPTACLE |

| APPROVALS | | PARTS LIST | |
|-----------------|-------------------|--|-----------|
| DRAWN Seeley | DATE 5/30/2005 | LAKENHEATH ELECTRONICS DESIGN BETHESDA, MD 20814 TEL: 301-404-0386 www.lakenheathelectronics.com | |
| CHECKED | DATE | TITLE CABLE ASSEMBLY, W03, MANTA-B | |
| ENGINEER | DATE | SIZE | CAGE CODE |
| ENGINEER | DATE | DWG NO. | REV |
| ENGINEER | DATE | D | NONE |
| ENGINEER | DATE | LED-CA-2000-W03 | |
| RELEASED | DATE | SHEET 1 OF 1 | |
| T. SEELEY | 5/30/2005 | | |
| APPROVED | DATE | | |
| T. SEELEY | 5/30/2005 | | |



| REVISION | REVISION STATUS OF SHEETS | DASH NO. | NEXT ASSY | USED ON |
|----------|---------------------------|----------|-----------|---------|
| - | SHEET | | MANTA-B | |
| 1 | SHEET | | | |

LAKENHEATH ELECTRONICS DESIGN

DRAWING PATH: G:\LEDChassisDesign\Drawings\res\LED_CA_2000_W03.dwg
MODEL PATH: G:\User\Lakenheath\Conductor\ML-DT-38999\TVPS02RF-15-35S.dwg
CODE IDENT: LED-CA-2000-W03
DRAWING NUMBER: LED-CA-2000-W03
SHEET 1 REV 1